

Materials and Finish

Housing: PBT Thermoplastic
15% Glass Filled, UL 94V-0
Rated, Black Color

Barrel: PA Thermoplastic, UL 94V-0 Rated,
Pantone 284C (Light Blue) Color
(See PC99 Spec. for Details)

Contact Material:
Pin #1: Copper Alloy, Nickel Plated
Pin #2 and Pin #5:
Phosphor Bronze, Matte
Tin Plated

Electrical Characteristics

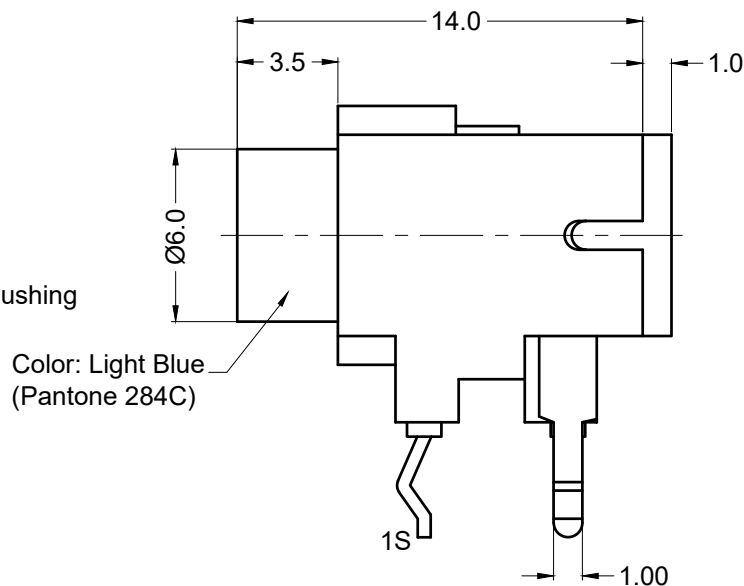
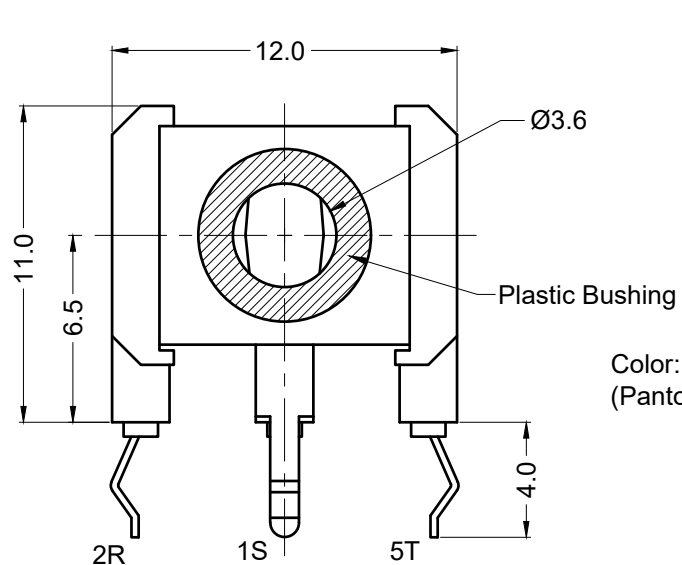
Insulation Resistance:
100 Megohms at 500V DC

Contact Resistance:
50 milliohms Max.

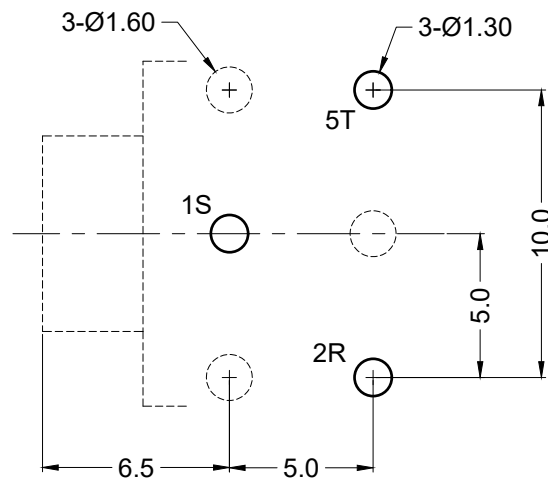
Dielectric Withstanding Voltage:
500V AC RMS for 1 Minute

Mechanical Characteristics

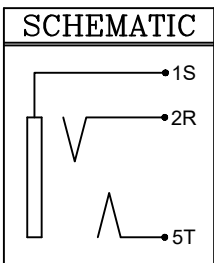
Insertion Force: 0.4kg - 3.0kg
Withdrawal Force: 0.3kg - 3.0kg
Durability: 5000 Mating Cycles Min.
Operating Temperature:
-25°C to +100°C



Color: Light Blue
(Pantone 284C)



Recommended PCB Layout
(Bottom View)



Tolerances
X.X ± 0.35
X.XX ± 0.25
Unless Stated Otherwise

RoHS COMPLIANT



REV.	DATE	DESCRIPTION	REV. BY	CHK. BY	DRAWN BY	DATE
A0	9/28/05	New Drawing	R. Aguirre	H. MA	R. Aguirre	07/14/05
A1	6/7/06	Release Drawing	H. MA	N/A		
B1	11/10/10	ECO #10-068	P. DalCanto	H. MA		
B2	5/2/11	ECO #11-027	P. DalCanto	H. MA		
B3	1/19/12	ECO #12-001	P. DalCanto	H. MA		
B4	08/14/18	Update Address	D. Shehan	N/A		

STX-3200-3NB-284C

High Profile Stereo Jack, RoHS Compliant

Blue(color) Plastic Bushing, Backplate, 3 pos.

