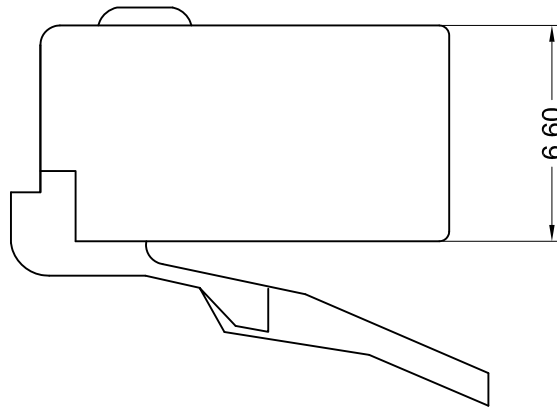
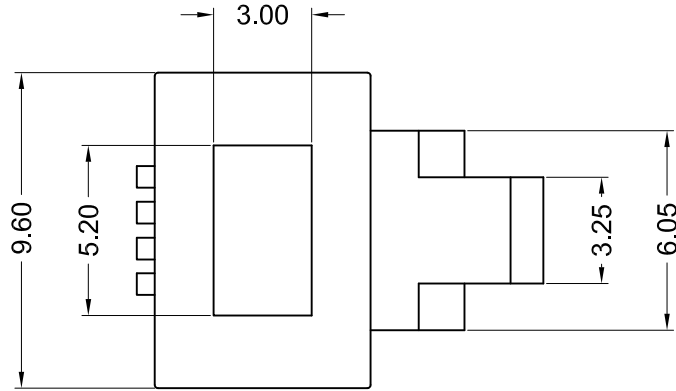


Pin #2



Materials and Finish

Housing: Polycarbonate,
UL 94V-2 Rated

Contact Material:
Copper Alloy

Plating Options:

1000 Series:
Gold Flash over 100u" Nickel
Underplate

5000 Series:
50u" Gold over 100u" Nickel
to Comply with ANSI/TIA-1096-A

Electrical Characteristics

Rated Current: 1.5A

Insulation Resistance:
500 Megohms Min.

Contact Resistance:
20 milliohms Max.

Dielectric Withstanding Voltage:
1000V AC for 1 Minute

Mechanical Characteristics

Operating Temperature:
-55°C to +85°C

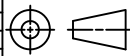
Part Number	Contact Area Plating Finish
MP64X-1000	Gold Flash (1000 Option)
MP64X-5000	50u" Gold (5000 Option)



Tolerances

X.X ± 0.25
X.XX ± 0.15
Unless Stated
Otherwise

REV.	DATE	DESCRIPTION	REV. BY	CHK. BY	DRAWN BY	DATE
A0	10/18/05	New Drawing	R. Aguirre	H. MA	R. Aguirre	8/24/05
A1	03/25/11	Remove Prelim	S. Vien	H. MA		
A2	01/16/13	ECO #12-068	S. Vien	P. DalCanto		
A3	04/24/15	ECO #15-026	H. MA	W. Cook		



UNITS
mm

MP64X-x000

x = plating option (1 or 5)

Modular Plug, RoHS Compliant

6 Position, 4 Contact

