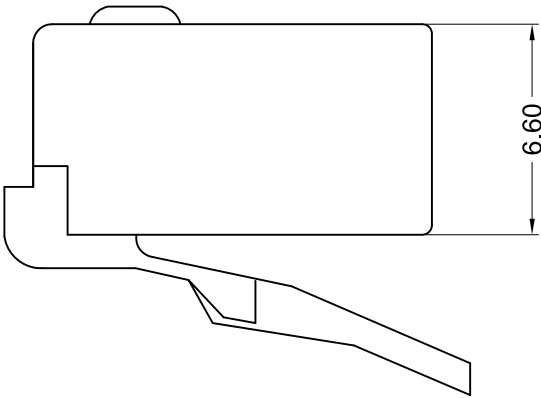
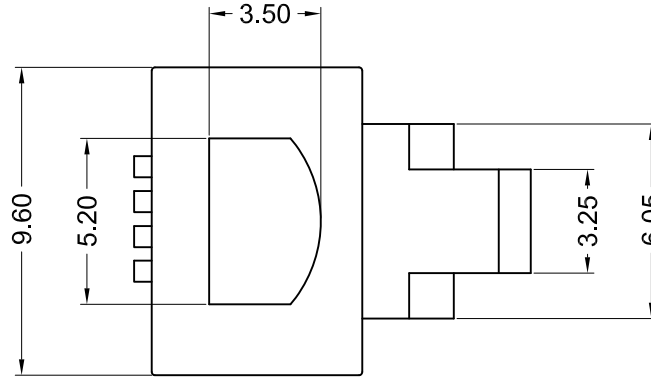


Pin #2



**Materials and Finish**

Housing: Polycarbonate,  
UL 94V-2 Rated

Contact Material:  
Copper Alloy

Plating Options:

1000 Series:  
Gold Flash over 100u" Nickel  
Underplate

5000 Series:  
50u" Gold over 100u" Nickel  
to Comply with ANSI/TIA-1096-A

**Electrical Characteristics**

Rated Current: 1.5A

Insulation Resistance:  
500 Megohms Min.

Contact Resistance:  
20 milliohms Max.

Dielectric Withstanding Voltage:  
1000V AC for 1 Minute

**Mechanical Characteristics**

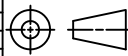
Operating Temperature:  
-55°C to +85°C

Part Number	Contact Area Plating Finish
MP64RX-1000S	Gold Flash (1000 Option)
MP64RX-5000S	50u" Gold (5000 Option)



Tolerances
X.X ± 0.25
X.XX ± 0.15
Unless Stated
Otherwise

REV.	DATE	DESCRIPTION	REV. BY	CHK. BY	DRAWN BY	DATE
A0	10/18/05	New Drawing	R. Aguirre	H. MA	R. Aguirre	9/21/05
A1	03/25/11	Remove Prelim	S. Vien	H. MA		
A2	01/16/13	ECO #12-068	S. Vien	P. DalCanto		
A3	04/28/15	ECO #15-026	H. MA	W. Cook		



UNITS  
mm

**MP64RX-x000S**

x = plating option (1 or 5)

Modular Plug for Solid Cable

6 Position, 4 Contact, RoHS Compliant

