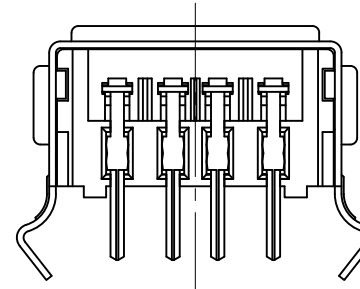
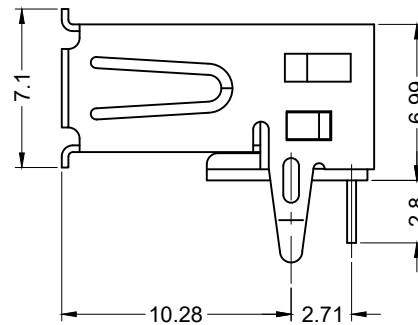
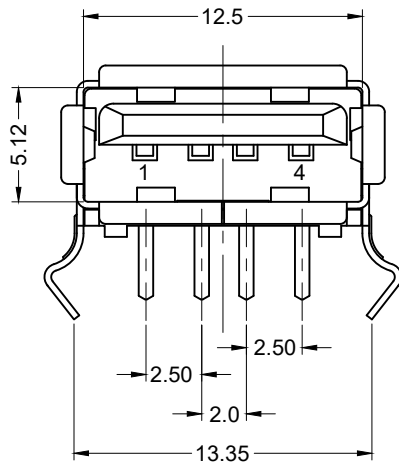


Recommended PCB Layout
(Top View)



Materials and Finish

Insulator: UL94V-0 Rated
PBT Thermoplastic
Color- White or Black

Contact Material:
Copper Alloy

Plating Options:
Standard: gold flash
on contact area,
tin on soldertails,
all over 50u" nickel

-30 Option: 30u" Gold
on contact area
tin on soldertails,
all over 50u" nickel

Shield: Copper Alloy
Nickel plated
over 50u" Copper

Electrical Specifications

Rated Voltage:
30V AC (rms)

Contact Current Rating:
1.5A Max.

Contact Resistance:
20 milliohms Max.

Insulation Resistance:
1000 Megohms Min.

Dielectric Withstanding:
500V AC

Mechanical Specifications

Insertion Force:
3.57kg max.

Extraction Force:
1.02kg min.

Durability:
1500 Cycles.

Operating Temperature:
-40°C to +85°C

Part Number	Contact Area Plating Finish	Insulator Color	Packaging
KUSBX-AS1N-W	Gold Flash (standard)	White	Bulk (Trays, Standard)
KUSBX-AS1N-W30	30u" Gold (-30 option)		Bulk (Trays, Standard)
KUSBX-AS1N-W30-TR	30u" Gold (-30 option)		Tape and Reel (TR option)
KUSBX-AS1N-B	Gold Flash (standard)	Black	Bulk (Trays, Standard)
KUSBX-AS1N-B30	30u" Gold (-30 option)		Bulk (Trays, Standard)

Tolerances
X.X ± 0.35
X.XX ± 0.25
Unless Stated
Otherwise

RoHS COMPLIANT



REV.	DATE	DESCRIPTION	REV. BY	CHK. BY	DRAWN BY	DATE
A1	07/20/05	New Drawing	R. Aguirre	H. Ma	R. Aguirre	07/20/05
A2	09/29/11	ECO #11-064	S. Vien	H. MA		
A3	05/08/13	ECO #13-020	W. Cook	P. DalCanto		UNITS mm
A4	10/20/15	Add specifications	H. MA	W. Cook		
A5	03/09/16	Add specifications	H. MA	W. Cook		
A6	01/05/21	ECO #21-001	C. Kelleher	C. Furumasa		

KUSBX-AS1N-xxx
xxx = color & plating options*

USB A-type Receptacle, RoHS Compliant
Single, Right Angle, Through Hole

