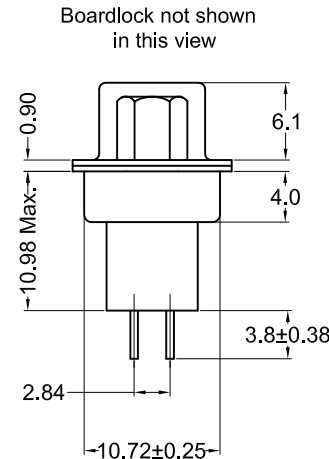
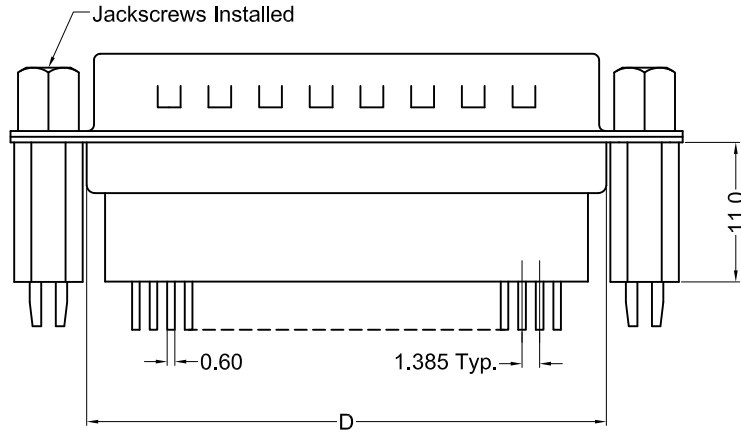


Recommended PCB Layout
(Top View)



Boardlock not shown
in this view

Material and Finish

Shell: Steel, Nickel plated

Insulator: PBT thermoplastic
with glass-fiber reinforcement,
UL94V-0 rated
Color: Black

Contact Material:
Plug - Brass

Contact Plating Options:

Standard: gold flash on
mating end, tin on
termination end, nickel
underplate on entire contact

15 Option: 15u" gold on
mating end, tin on
termination end, nickel
underplate on entire contact

30 Option: 30u" gold on
mating end, tin on
termination end, nickel
underplate on entire contact

Electrical Specifications

Rated Current: 2A

Rated Voltage: 30V RMS

Insulation Resistance:
more than 1000 megohms at
500V DC

Contact Resistance:
13 milliohms max.

Dielectric Withstanding Voltage:
1000V for 1 minute

Operating Temperature:
-55°C to +105°C

Part Number	Dimensions				Plating Options	
	A	B	C	D		
K88X-ED-9P-BRJ/-BRJ15/-BRJ30	16.92	24.99	30.81	19.2	Blank	Gold Flash
K88X-AD-15P-BRJ/-BRJ15/-BRJ30	25.25	33.32	39.14	27.5		
K88X-BD-25P-BRJ/-BRJ15/-BRJ30	38.96	47.04	53.04	41.0	30	30u" Gold
K88X-CD-37P-BRJ/-BRJ15/-BRJ30	55.42	63.50	69.32	57.7		



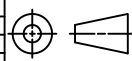
Tolerances
X.X ± 0.25
X.XX ± 0.15
Unless Stated Otherwise

REV.	DATE	DESCRIPTION	REV. BY	CHK. BY	DRAWN BY	DATE
A1	08/14/09	New Drawing	S. Vien	H. MA	S. Vien	05/29/09
A2	12/31/17	ECO #17-035	G. Serrato	C. Furumasu		

K88X-xD-xxP-BRJ

D-Sub, Vertical, High Profile, RoHS Compliant

Male, Boardlocks, JS



UNITS
mm