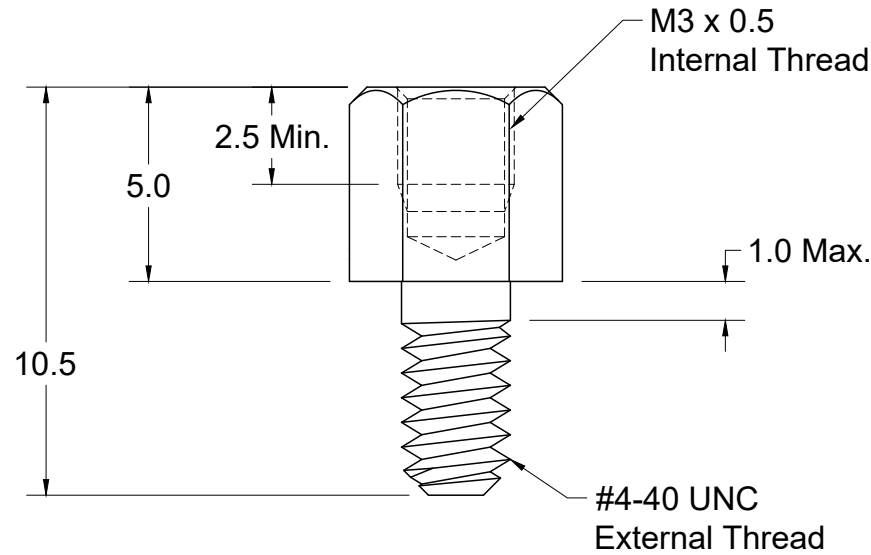


Material: Brass  
Finish: Nickel



Tolerances
X.X ± 0.10
X.XX ± 0.05
Unless Stated Otherwise

**RoHS COMPLIANT**

REV.	DATE	DESCRIPTION	REV. BY	CHK. BY	DRAWN BY	DATE
A0	11/16/07	New Drawing	WILL H.	H. MA	WILL H.	11/16/07
A1	03/17/08	ECO #08-009	R. Aguirre	H. MA		
A2	10/23/13	Release Drawing	W. Cook	H. MA		UNITS
A3	06/11/18	ECO #18-028	G. Serrato	D. Shehan		
B0	08/06/21	ECO #21-014	C. Kelleher	C. Furumasa		

**JSX-M1055**

Metric Jack Screw, RoHS Compliant  
5.5 mm thread, #4-40 UNC external

