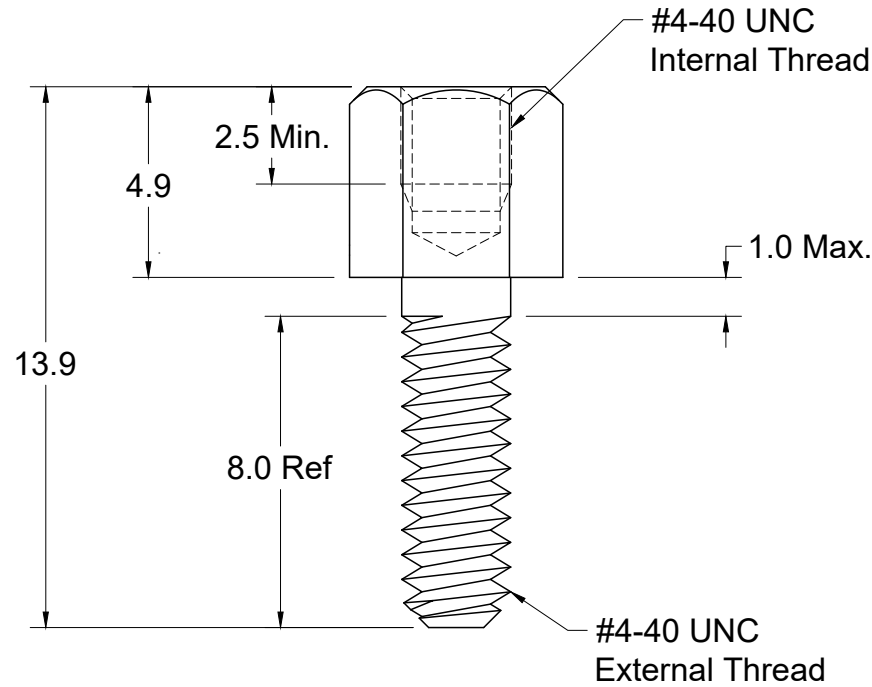


Material: Brass

Finish: Nickel



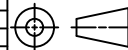
Tolerances
X.X ± 0.25
X.XX ± 0.15
Unless Stated
Otherwise

RoHS COMPLIANT

REV.	DATE	DESCRIPTION	REV. BY	CHK. BY	DRAWN BY	DATE
A1	02/02/09	New Drawing	S. Vien	H. MA	S. Vien	02/02/09
A2	06/11/18	ECO #18-028	G. Serrato	D. Shehan		
B0	08/16/21	ECO #21-014	C. Kelleher	C. Furumasa		

JSX-1080

Hex # 4-40 Jackscrew, RoHS Compliant
8.0mm Thread Length



UNITS
mm