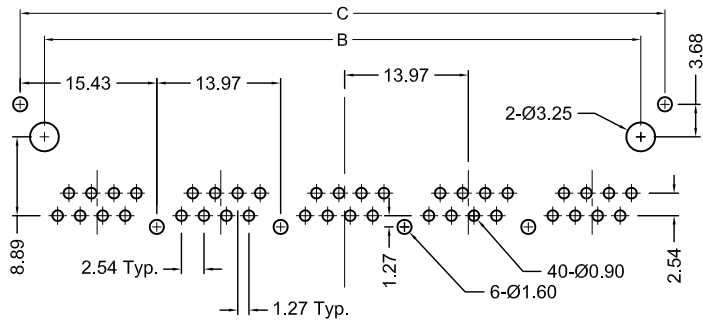
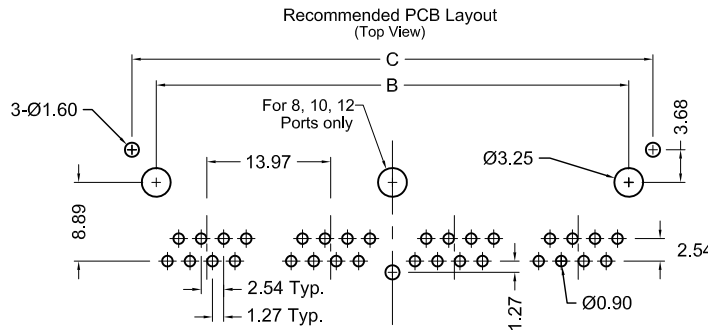


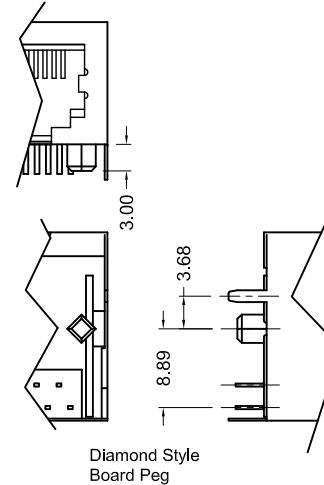
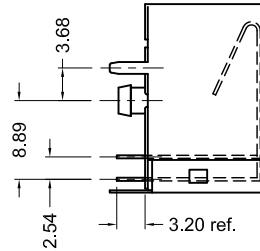
Special PCB Layout for GSGX-NS-5-88 (Top View)



Part Number	Contact Area Plating Finish
GSGX-NS-x-88	Gold Flash (standard option)
GSGX-NS-x-88-50	50u" Gold (-50 option)



3.68 Ground Pin Option



Dimensions (mm)

# of Ports	A	B	C	Style of Board Peg
2	31.12	25.40	30.87	Snap-In***
4	59.06	53.34	58.81	Snap-In***
5	73.03	67.31	72.78	Diamond*
6	87.00	81.28	86.75	Snap-In***
8	114.94	109.22	114.69	Snap-In***
10	142.88	137.16	142.63	Diamond**
12	170.82	165.10	170.57	Diamond**

*Snap-In available with min. quantity. Contact Kycon
 **Outer pegs are diamond, center peg is snap-in style
 *** 4.57 Ground Pin option available

Material and Finish

Body: PBT, glass filled
 UL94V-0 rated
 color: black
 Shield: 0.25mm thick
 Copper alloy, Nickel plated
 Contact: Phosphor Bronze
 Nickel underplate on entire
 contact Tin on termination end
 Gold plating options on
 contact area:
 Standard: Gold flash
 50 option: 50u" gold
 to comply with FCC
 requirements under #47
 C.F.R. Part 68, Subpart F

Electrical Characteristics

Current Rating:
 1.5 Amps
 Voltage Rating:
 125V DC
 Insulation Resistance:
 500 Megohms Min.
 Dielectric Withstanding Voltage:
 1000V rms, 60Hz
 Contact Resistance:
 20 milliohms Max.

Mechanical Characteristics

Durability Rating:
 500 Mating Cycles Min.
 Operating Temperature:
 -40°C to +85°C

Electrical Performance

Category 5 100MHz Bandwidth Performance
 Performance meets near end crosstalk (NEXT)
 Requirements of -40dB @ 100MHz per
 EIA/TIA 568A in applications where UL Approved
 Category 5 cable (GA27-3773-1) is used
 Shielded types offer 20dB shielding from
 30MHz to 300MHz

Tolerances
X.X ± 0.25
X.XX ± 0.15
Unless Stated Otherwise



REV.	DATE	DESCRIPTION	REV. BY	CHK. BY	DRAWN BY	DATE
A3	3/4/08	ECO #08-030	R. Aguirre	H. MA	R. Aguirre	07/05/05
A4	05/13/10	ECO #10-025	S. Vien	H. MA		
A5	12/11/13	ECO #13-090	D. Gih	H. MA		
A6	06/29/15	ECO #15-001	H. MA	C. Furumasa	UNITS	mm
A7	02/02/17	Add Op.Temp., Fix Dim.	C. Kelleher	W. Cook		
A8	06/14/17	ECO #17-014	H. MA	C. Furumasa		

GSGX-NS-x-88

x = Number of ports

Shielded gang-jack, RoHS Compliant

8 position/ 8 contacts per port

