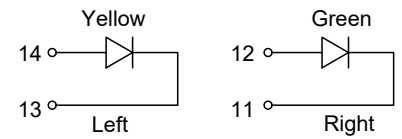
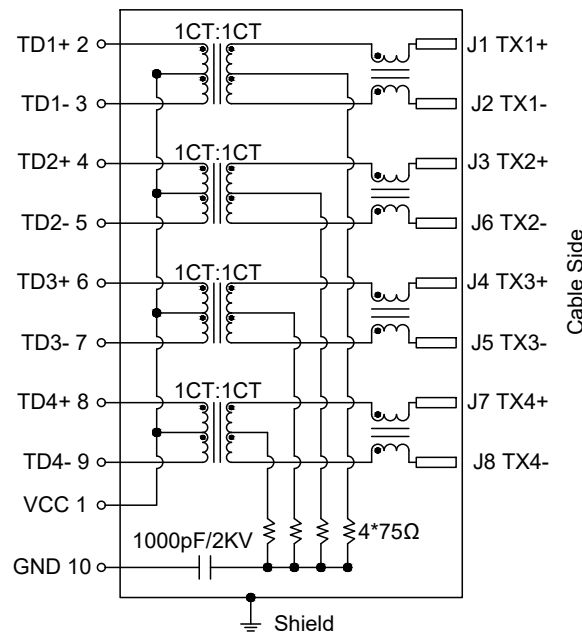


Recommended PCB Layout
(Top View)



Materials and Finish

Housing: LCP Thermoplastic
UL 94V-0 Rated
Color: Black

Shield: Brass, Nickel Plated

Contact Material:
Phosphor Bronze

Plating:
Nickel Underplating
6μ Gold Plating on Contact Area,
Tin Plated on Solder Area

Electrical Characteristics

Insulation Resistance:
500 Megohms Min.

Contact Resistance:
20 milliohms Max.

Dielectric Withstanding Voltage:
500V AC for 1 Minute

Mechanical Characteristics

Durability Rating:
750 Mating Cycles Min.

Operating Temperature:
-40°C to +85°C

| Insertion Loss (dB Typ) | Return Loss at 100Ω (dB Min) | | | | Cross Talk (dB Min) | | | CMR (dB Min) | OCL (uH Min) |
|----------------------------|---------------------------------|----------|----------|----------|------------------------|----------|-----------|-----------------|------------------------|
| | 1~10MHz | 10~30MHz | 30~60MHz | 60~80MHz | 1~30MHz | 30~60MHz | 60~100MHz | | |
| 1~100MHz | -20 | -16 | -12 | -10 | -40 | -35 | -30 | -35 | 100KHz, 100 mV, 8mA DC |
| -1.0 | | | | | | | | | 350 |

| Tolerances |
|---------------|
| X.X ± 0.35 |
| X.XX ± 0.25 |
| Unless Stated |
| Otherwise |

RoHS COMPLIANT

| REV. | DATE | DESCRIPTION | REV. BY | CHK. BY | DRAWN BY | DATE |
|------|----------|--------------------------|-------------|-------------|------------|----------|
| A0 | 04/19/18 | New Drawing | G. Serrato | | G. Serrato | 04/19/18 |
| A0.1 | 05/29/18 | Update Specs | D. Shehan | | | |
| A1 | 11/14/18 | Release Drawing DC18-013 | D. Shehan | G. Serrato | | |
| A2 | 05/21/19 | ECO #19-049 | H. MA | D. Shehan | | |
| A3 | 8/24/22 | Update PCB Layout | C. Kelleher | N/A | | |
| A4 | 03/26/25 | ECO #25-027 | K.Wang | C. Kelleher | | |

GLPLX-SMT-188S7-QQ-Y/G

Low Profile Modular Jack w/Gigabit
Magnetics, Yellow and Green LED

