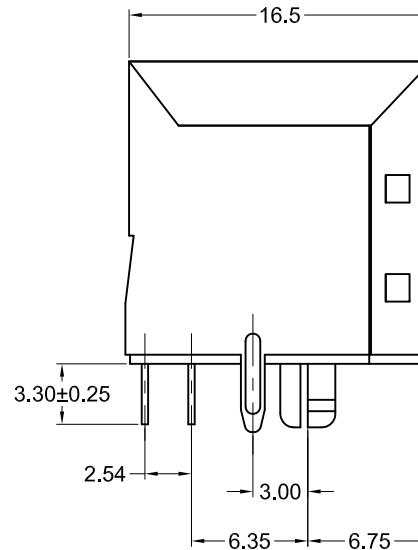


Recommended PCB Layout  
(Top View)



**Materials and Finish**

Housing Material:  
PBT  
UL 94V-0 Rated  
Color: Black

Contact Material:  
Phosphor Bronze

Contact Plating Options:

Standard:  
Gold Flash on Contact Area  
Tin on Termination End

50 option:  
50u" Gold on Contact Area to  
Comply with FCC Requirements  
Under No. 47 C.F.R. Part 68,  
Subpart F, Tin on Termination End

Shield Material:  
Copper Alloy, Nickel Plated

**Electrical Characteristics**

Current Rating:  
1.5 Amps

Voltage Rating:  
125V DC

Insulation Resistance:  
500 Megohms Min.

Contact Resistance:  
20 milliohms Max.

Dielectric Withstanding Voltage:  
1000V rms, 60Hz

Operating Temperature:  
-40°C to +85°C

Part Number	Contact Area Plating Finish
GDX-PNS-1010	Gold Flash (standard)
GDX-PNS-1010-50	50u" Gold (50 option)

Tolerances
X.X ± 0.25
X.XX ± 0.15
Unless Stated Otherwise



REV.	DATE	DESCRIPTION	REV. BY	CHK. BY	DRAWN BY	DATE
A0	9/15/05	New Drawing	R. Aguirre	N.Chang	R. Aguirre	9/15/05
A1	05/14/10	ECO #10-025	S. Vien	H. MA		
A2	3/1/11	ECO #11-017	S. Vien	H. MA		
A3	12/12/13	ECO #13-091	D. Gih	H. MA		
A4	05/25/17	ECO #17-014	H. MA	C. Furumasu		

**GDX-PNS-1010**

Perpendicular, PCB Mount Mod. Jack, RoHS Compliant

10 Position, 10 Contacts, Shielded

