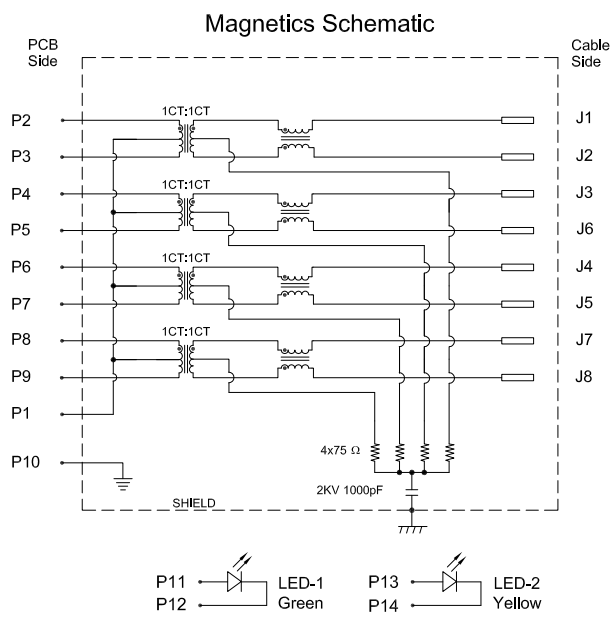


Recommended PCB Layout
(Top View)



Materials and Finish

Housing Material:
Thermoplastic, UL 94V-0 Rated,
Color: Black

Shield: Copper Alloy, Nickel Plated

Contact Material:
Copper Alloy

Plating Options:
Standard: Nickel Underplating,
Gold Flash Plating on Contact Area,
Gold Flash on Solder Area

50 Option: Nickel Underplating,
Contact Area Plated with 50u" Gold
Gold Plated on Solder Area

Electrical Characteristics

Insulation Resistance:
200 Megohms Min.

Contact Resistance:
30 milliohms Max.

Dielectric Withstanding Voltage:
500V AC Min. for 1 Minute

Mechanical Characteristics

Durability Rating:
750 Mating Cycles Min.

Operating Temperature:
-40°C to +85°C

Electrical Properties:

Insertion Loss (dB Max)	Return Loss at 100Ω (dB Min)		Cross Talk (dB Min)		CMR (dB Min)
	1~30MHz	30~80MHz	1~60MHz	60~100MHz	
100kHz~100MHz	1~30MHz	30~80MHz	1~60MHz	60~100MHz	1~100MHz
-1.1	-18	-12+20LOG(f/80)	-35	-25	-30

Part Number	Contact Area Plating Finish
G4LX-188S7-EF-GY1	Gold flash (standard)
G4LX-188S7-EF-GY1-50	50u" Gold (50 option)

Tolerances
X.X ± 0.35
X.XX ± 0.25
Unless Stated Otherwise



REV.	DATE	DESCRIPTION	REV. BY	CHK. BY	DRAWN BY	DATE
A0	04/29/15	New Drawing	W. Cook	H. MA	W. Cook	02/02/15
A1	05/27/15	Release Drawing	W. Cook	H. MA		
A2	11/09/15	Update Operating Temp.	H. MA	W. Cook		
					UNITS	
					mm	

G4LX-188S7-EF-GY1

8P8C ModJack, Tab Down, Shielded, w/ LED
1000Base-T Gigabit Magnetics, RoHS Compliant

