

Materials and Finish

Housing Material: High Temperature Thermoplastic, UL 94V-0 Rated, Color: Black

Shield: Copper Alloy, Nickel Plated

Contact Material: Copper Alloy

Plating:
 30 Option: Nickel Underplating, Contact Area Plated with 30u" Gold, Tin Plating on Solder Area
 50 Option: Nickel Underplating, Contact Area Plated with 50u" Gold to Comply with ANSI/TIA-1096-A, Tin Plated on Solder Area

Electrical Characteristics

Insulation Resistance:
500 Megohms Min.

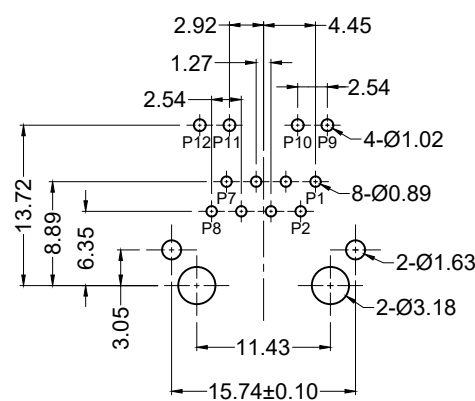
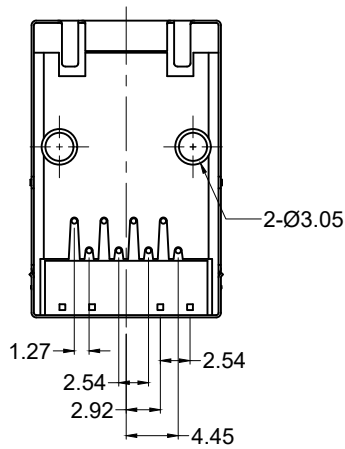
Contact Resistance:
50 milliohms Max.

Dielectric Withstanding Voltage:
500V AC Min. for 1 Minute

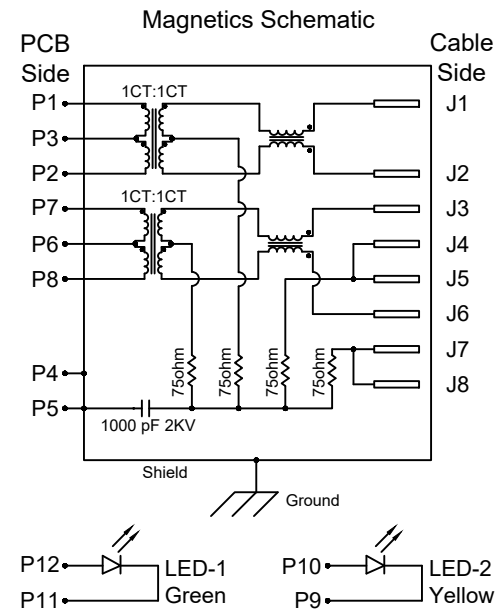
Mechanical Characteristics

Durability Rating:
750 Mating Cycles Min.

Operating Temperature:
0°C to +70°C



Recommended PCB Layout (Top View)



Electrical Properties:

Insertion Loss (dB Max)	Return Loss (dB Min)			Cross Talk (dB Min)	Common Mode Rejection
	1~100MHz	1~30MHz	30~60MHz		
-1.1	-18	-16	-12	-35	-30 dB Min

Part Number	Contact Area Plating Finish
G2LX-188S1-CC-GY1-15	15u" Gold (15 Option)
G2LX-188S1-CC-GY1-30	30u" Gold (30 Option)
G2LX-188S1-CC-GY1-50	50u" Gold (50 Option)

Discontinued

Tolerances
X.X ± 0.35
X.XX ± 0.25
Unless Stated Otherwise



REV.	DATE	DESCRIPTION	REV. BY	CHK. BY	DRAWN BY	DATE
A0	06/24/14	New Drawing	D. Gih	P. DalCanto	D. Gih	04/21/14
A1	03/26/15	Release Drawing	W. Cook	N/A		
A2	03/17/17	Update Electrical Properties	C. Kelleher	G Serrato	UNITS	mm
A3	12/10/19	ECO #19-072	C. Kelleher	D. Shehan		
A4	08/15/22	ECO #22-018	C. Kelleher	C. Furumasa		

G2LX-188S1-CC-GY1-xx

8P8C ModJack, Tab Up, Shielded, 10/100

Magnetics, Green & Yellow LEDs, RoHS Compl.

