

AUDIO JACKS: STX-4235 Series

Stacked 3.5mm Audio Jack

Product Features

Audio Applications for Computers and Multimedia
 Can Be Used To Activate Speakers, an Equalizer or to
 Configure the Audio Signal
 Stacked Design Saves on Horizontal Board Space
 Multiple Switching Options Available
 CSA/NRTL Certified File No. LR78160

Performance Specifications

Materials and Finish

Housing

PA46 Thermoplastic, 15% Glass Filled,
 Color: Black

Terminals: Phosphor Bronze, Tin Plated

Mechanical Characteristics

Insertion Force

0.4kg - 3.0kg

Extraction Force

0.4kg - 3.0kg

Durability: 5000 Mating Cycles

Electrical Characteristics

Contract Resistance

Before Durability Test

50 milliohms Max.

After Durability Test

100 milliohms Max.

Insulation Resistance

More than 100 Megohm at 500V DC

Dielectric Strength

500V AC RMS for 1 Minute

Operating Temperature

-25°C to + 85°C

Voltage Rating:

16 Volts DC

Current Rating: 0.3 A

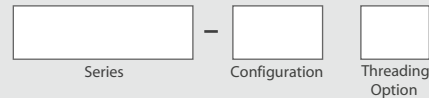
Max Process Temp:

With Jack mounted on PCB,
 Terminals immersed in solder bath at
 260±5°C for 10±1 sec.

2D Drawing	IGES	STEP	3D PDF
Solder Profile	CofC RoHS Compliant	CofC REACH Compliant	UL Plastic File
Certificate of Origin	Check Stock	Request a Sample	Send Us An Email

Generated Part Number

Part Number Builder



Series

STX-4235 - Stacked 3.5mm Audio Jack over 3.5mm Audio Jack

Configuration

3/3 - 3 Pins over 3 Pins

3/5 - 3 Pins over 5 Pins

Threading Option

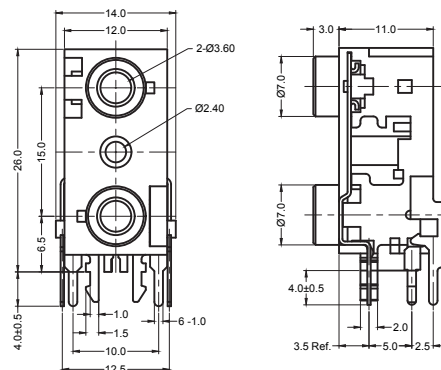
N - Non-Threaded Barrel

Contact Kycon for other options

STX-4235 Series

Dimensions in mm

STX-4235-3/3-N



Schematic

